



RS-003 Rotary Drum Screen

Rotary Drum Screen

The rotary drum screen is a compact and convenient device, which can be operated to remove the suspended solids from the liquid stream. Raw wastewater is fed from the center inlet and the solids are retained on the screen mesh. The screened solids is then discharged from the outlet area and collected in a hopper. A fixed scraper can remove scum that sticks on the screen mesh surface along the screen rotation.

The drum screen mesh can be cleaned and washed automatically with its mechanical rotation. Compare to conventional shake or fixed screens, its "self-cleaning" feature has significantly reduced the wash water volume and footprint requirement.

Purposes

Drum screen is used to remove coarse solids such as wood chips, fragments of cloth, metal filings, or fine solids such as gravels, hairs, saw dusts, grease, and kitchen waste.

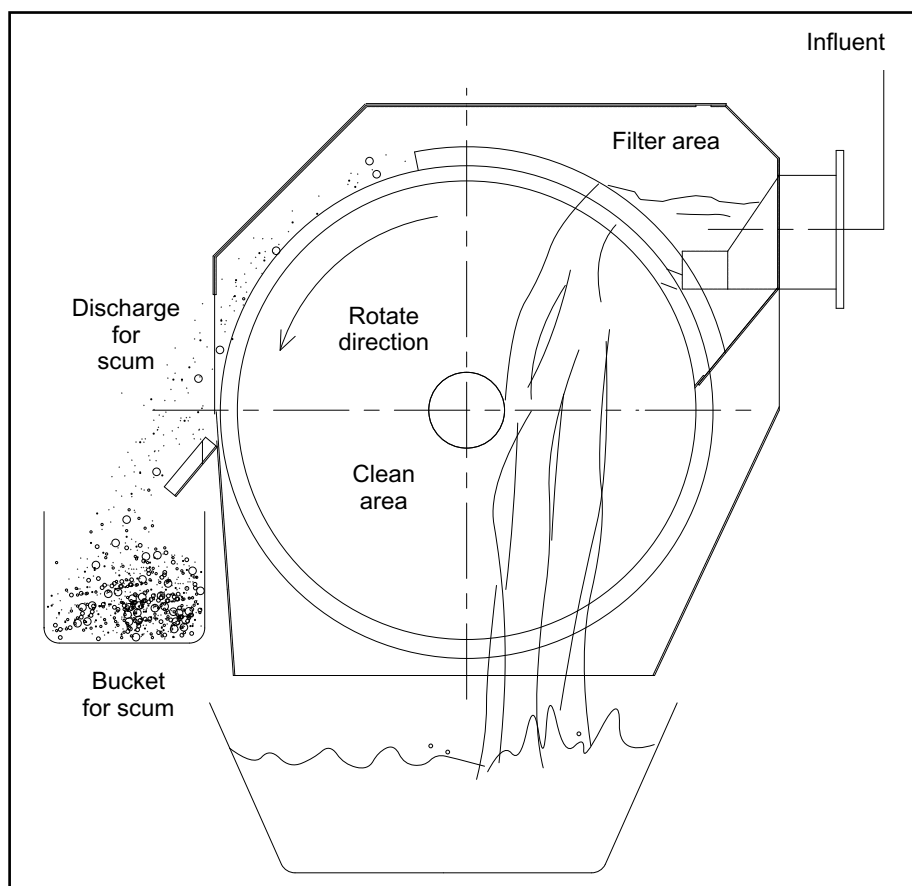
Applications

- » Pulp and paper, slaughterhouses, food and beverage processing.
- » Municipal wastewater headwork preliminary treatment
- » Sludge thickening and solids separation.

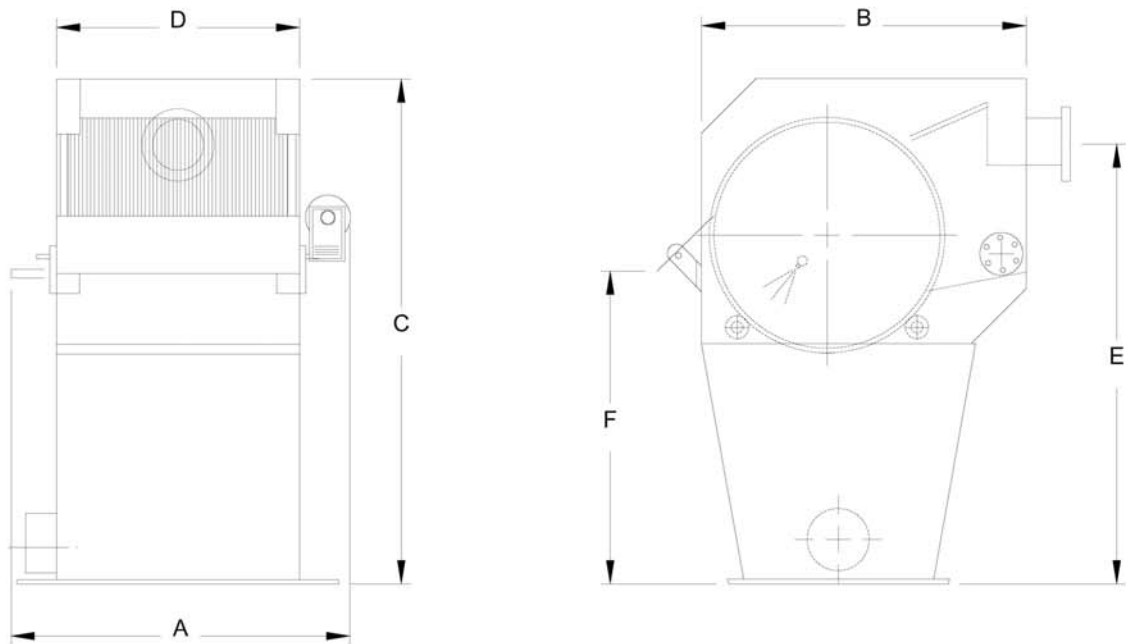
Features

- » Effective screening to prevent clogging and wearing in the process
- » Small footprint requirement
- » Easy installation and operation.
- » Low power consumption with approximately 1/15 of the power required by conventional screens.
- » High process capacity and efficiency
- » Feasible for high temperature and high viscosity wastewater.
- » Optional brush wheel or high pressure washing are available.

Equipment Process



Equipment Drawings and Section Views



Rotary Drum Screen

Specifications

Model	R4530	R4545	R6030	R6045	R6060	R6090
Drum Diameter(mm)	450	450	600	600	600	600
Drum Length(mm)	300	450	300	450	600	900
A (mm)	500	700	500	700	1000	1300
B (mm)	600	600	620	620	620	620
C (mm)	600	600	1100	1100	1100	1100
D (mm)	320	500	320	500	620	920
E (mm)	500	500	600	600	600	600
F (mm)	300	300	500	500	500	500

Model	Opening (mm)					
	0.50	0.75	1.00	1.25	1.50	2.00
	Capacity (m ³ /hr)			City Water		
R4530	30	40	50	60	65	80
R4545	45	65	80	90	100	120
R6030	40	55	70	80	90	105
R6045	60	85	105	120	135	160
R6060	85	115	140	165	185	215
R6090	125	175	215	245	275	320